

2 Sisters Food Group Processing Facility

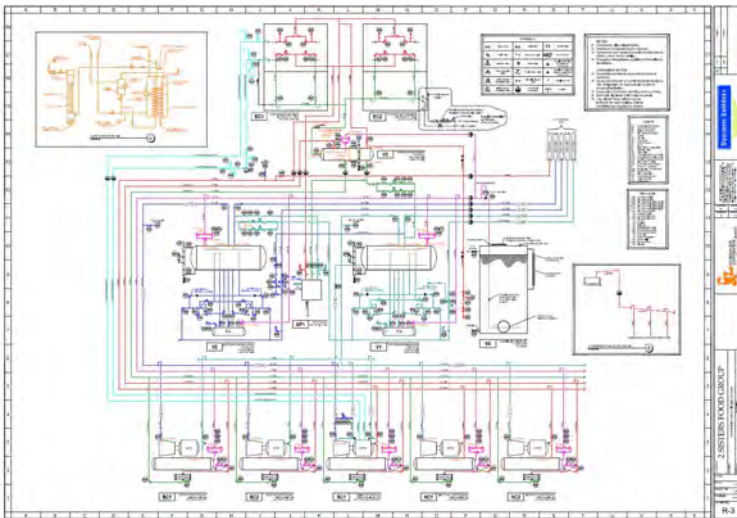


2 Stage Ammonia Refrigeration System for 2 Sisters Food Group designed and Built by C&L Refrigeration

C&L Refrigeration completed a **53,000 sq ft** building that serves as the meat & poultry processing and distribution center for **TESCO's Fresh and Easy** grocery stores as well as other clients. The two-stage pumped recirculated ammonia system will serve a multitude of 30-40°F processing rooms, (2) -30°F spiral blast freezers, and other processing equipment via 53 evaporators, (2) make-up air units, and 1,500 horsepower of screw compressors. The building was completed in July 2008 and is fully operational.

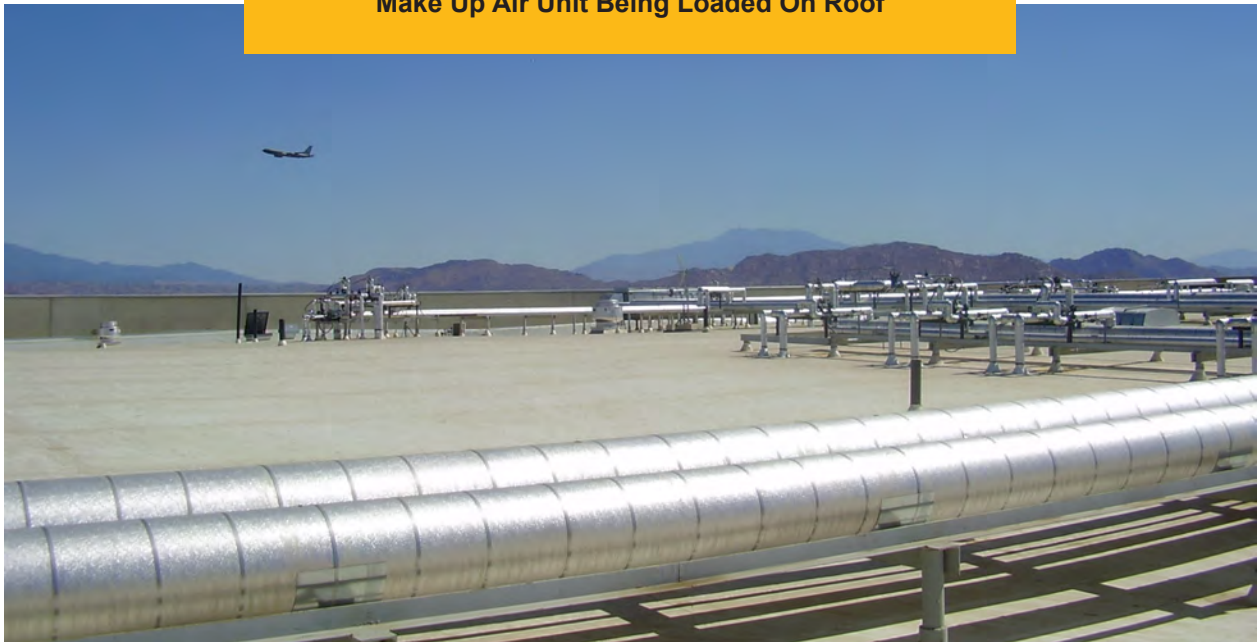
QUICK FACTS

- Mounted variable speed drive on compressor package.
- Variable speed drives on evaporative condenser fans.
- Stainless steel evaporator coil tubing and stainless steel casings throughout the plant.
- Stainless steel condensate drain piping, fittings, and mounting hardware for critical processing areas.
- Makeup outside air units to pressurize critical processing rooms.
- Pump recirculators for low temperature and medium temperature suction groups.
- Efficient thermosyphon oil cooling on screw compressors.
- Risk Management Program and Process Safety Management program.
- State of the art Refrigeration Control System with remote monitoring capabilities, ammonia detection controls, refrigeration and defrost controls, and energy efficiency optimization strategies. All communications were implemented with Ethernet connections for fast response time.





Make Up Air Unit Being Loaded On Roof



Ammonia Piping And Over 50 Valve Stations Installed on Roof

About C&L Refrigeration

C&L Refrigeration has provided high-quality maintenance, engineering and construction service in the commercial and industrial air conditioning and refrigeration industry since 1978. In addition, C&L assists clients with air Conditioning needs and in meeting EPA, AQMD and OSHA compliance standards. A family-owned business, C&L strives to encourage its 175 employees to take pride in their performance, understand each customer's needs and customize projects to meet those needs. With headquarters in Brea, CA and a branch office in Las Vegas, NV, C&L Refrigeration is strategically located to responsively serve all of California and Southern Nevada.



C&L
REFRIGERATION

479 Nibus Street | Brea, CA 92821
714 | 990-6966 800 | 901-4823 fax
CA License # 381378
www.clrefrigeration.com

3840A Civic Center Drive | North Las Vegas, NV 89030
Toll Free 800 | 901-4822
NV License # 0044714A